

BIPOL



5" TOUCH SCREEN

High resolution

1280 x 720 px



MOTORISED JOYSTICK

Precise - 360°



INTERCHANGEABLE VIDEO PROBES

IP67 (water and oil)



WIFI FUNCTION

Compatible with IOS

The BIPOL PRO Gx video scope is a fully portable system made of a high resolution CMOS camera (up to 1080P) mounted on a motorised articulated probe with 4-way articulation. Images and videos are displayed on a large 5" high definition touch screen.

This video scope offers high resolution, strong illumination adjustable on 6 levels and excellent image quality with no loss of resolution on saved files.

Inspect in HD mode



COMPLETE INTERFACE

- Anti glare feature
- Noise reduction
- Negative mode
- Digital zoom x3
- Measurement ruler



TEXT ANNOTATION

- 150 characters
(can be extended via
Bluetooth keyboard)

CONNECTORS

- Micro SD card 64 GB
- HDMI
- Micro USB

IMAGE ROTATION

360°

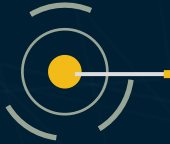
REMOVABLE PROBES

PHOTOS/VIDEOS

High resolution up to 1080 P
(1800x1088 px)

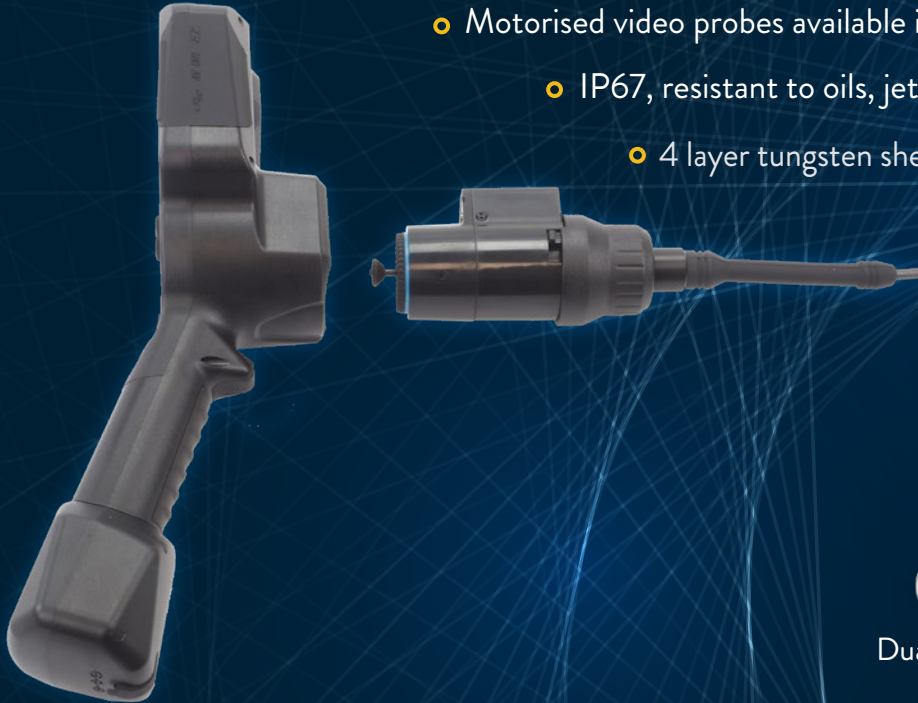


TABLE STAND



LARGE VARIETY OF PROBES

- Diameters 2.4 – 2.8 – 3.9 – 6.0 and 8.4 mm.
- Motorised video probes available in white light or infrared.
- IP67, resistant to oils, jetfuel and anti-corrosion.
- 4 layer tungsten sheathing.



ALSO AVAILABLE



Dual view probe with 2 objectives and direction of 0° & 90°

READY TO USE KIT



WHAT WE DELIVER

- 1 Compact shockproof case with prints for accessories
- 2 PRO GX videoscope
- 3 HDMI cable for external monitor connection
- 4 SD card reader
- 5 Spare battery (option)
- 6 Battery charger
- 7 BIPOL cleaning kit
- 8 Table stand



PRO GX ACCESSORIES

Rigid guides

Ø 4,8 mm & Ø 8 mm
with working length (430mm)



Battery Pack

Universal charger 110-220 Va
with UK, US, EU adapter.



TECHNICAL DATA	PROGX
Working lengths	1.0- 1.5 - 2.0 - 3.0 - 3.5 - 6.0 - 7.5 meters
Articulation	Motorised 360° 4 x 170° with locking of probe (2x on 2.4mm)
Camera resolution	2.4- 2.8mm 500,000 px 3.9 - 6.0 - 8.4 mm 720 P (1080P for HD version in 6mm)
Field of vision	120° (90° for 90° probes in 3.9 & 6.0mm)
Focusing range	2.4mm 0° : 5 - 25 mm 2.8mm 0° : 5 - 50 mm 90° : 5 - 50 mm 3.9mm 0° : 15 - infinity 90° : 5 - 50 mm 6.0mm 0° : 15 - infinity 90° : 5-50 mm 8.4mm 0° : 6 - infinity (manually adjustable)
Interface	Digital zoom 3x- noise reduction- anti-glare feature - text annotation - image rotation - white balance (auto/manual).
Battery runtime	Up to 4 hours (charging time: 5 hours)
Images / Videos	JPEG/AVI up to 1800*1088px (16:9)
Working temperatures	-10°C to + 50°C
Net weight (without probe)	1.2 kg
Case dimensions	55 x 41 x 20 cm
Gross weight	6.1 kg
Light source	LEDs White light or IR 940 Nm Light intensity adjustable on 6 levels
Languages	14 languages
Warranty	1 year