



Motorized Pan & Tilt 4K Camera.
With 5 meter extension pole

Fiber Carbon Pole

Our line of high resolution PT-360 pole cameras offer reliable inspection solutions to security forces, rescue and emergency units, police, special forces and to the industrial sector. Available with motorized rotative cameras and Talk/back cameras, they allow inspection of buildings, containers, infrastructures such as bridges, trucks, or industrial sites among others.

9 Main Features



10.1" Touch Scree



Exchangeable cam



LED adjustable



55W Li battery



Record/Photo/Playback



360° PTZ



Position

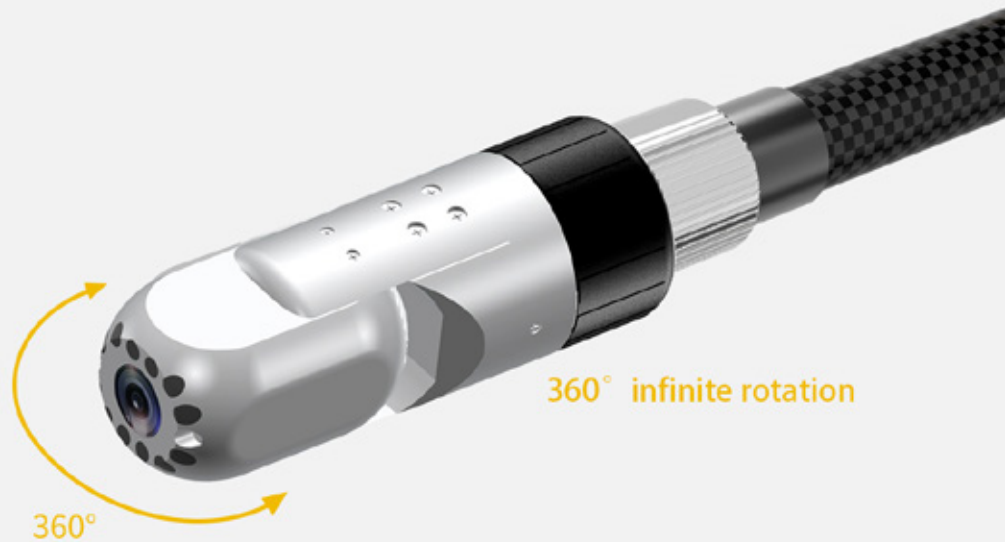


Auto focus



waterproof

7 Level LED • 360° PTZ



4K HD Camera

Durable Industrial Lens
Professional Waterproof Design



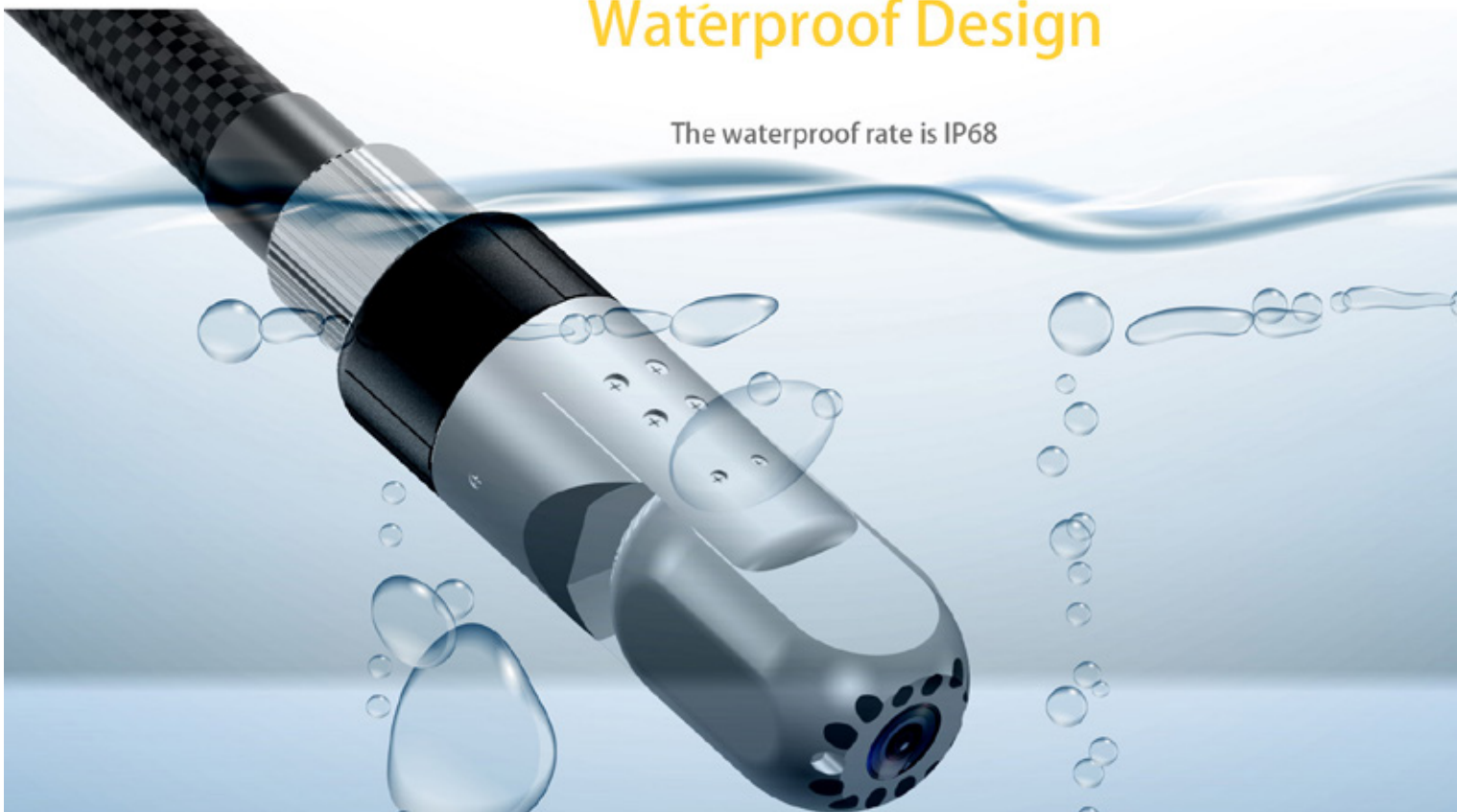
Exchangeable Battery Pack

55W rechargeable Li-battery for exchanging
Extend Working Time Easily



Waterproof Design

The waterproof rate is IP68

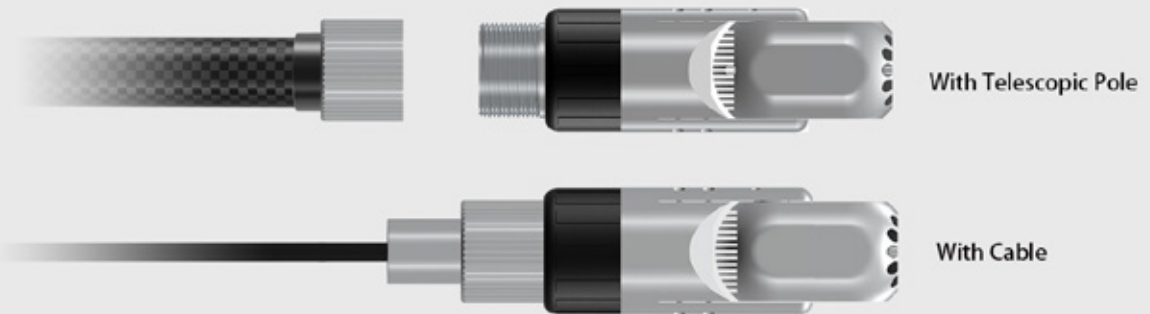


Main functions



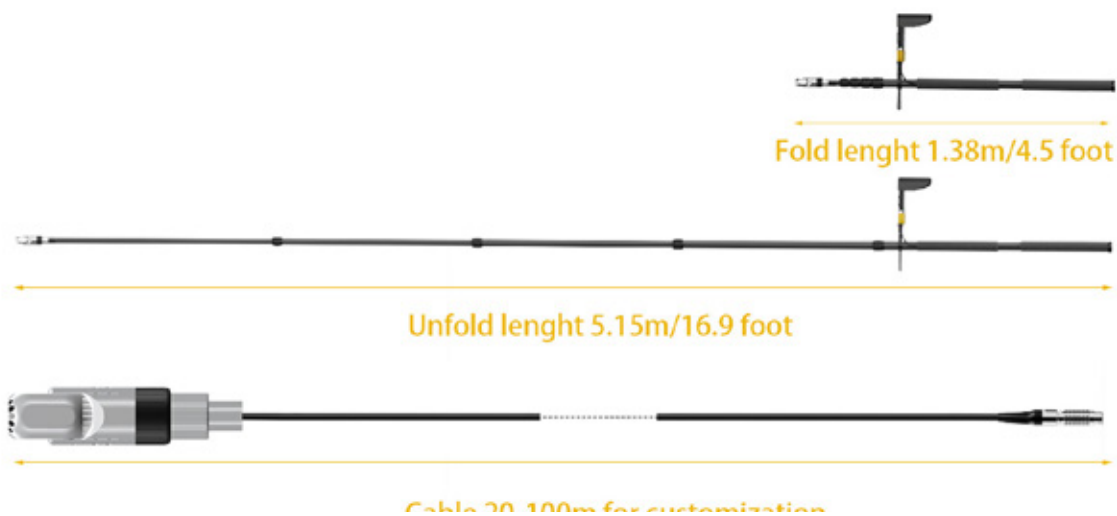
Exchangeable Plug Connector

PTZ camera can plug into the **telescopic pole** or plug in the **cable** to meet users different requirements



Fiber Carbon Telescopic Pole/Cable

Different Length for customization



Different Cameras
White LEDs
850/940 nm
Infrared



Technical data

Cmos	SONY 5MP
light source	12 LED vision distance 10m
Minimum illumination	0.001Lux/F1.2
Lens	3.6mm F1.2 (H)160° view angle
video output	AHD: 2560 (H)×1944(V)
waterproof level	IP68
rotate	Horizontal: infinite rotation Vertical:180°
size and weight	ø39mm ,Length :143mm ;674g
Camera housing material	304 Stainless steel
360 Rotated IR Talkback Camera	
Cmos	5MP Cmos
pixel	AHD: 2560 (H)×1944(V)
light source	12 ir850nm IR led
Minimum illumination	0.08Lux/F1.2
Lens	3.6mm F1.2 (H)160° view angle
video output	AHD
waterproof level	IP65
rotate	Horizontal: 360 ° Vertical:180°
size and weight	ø39mm ,Length :153mm ,325g
Camera housing material	Black color Aluminum alloy
Carbon Fiber Telescopic Pole	
Material	Carbon Fiber
Unfold length	5.15 meter
Fold length	1.38 meter

Technical data

Display	10.1 inch 1280 * 800 px
Touch screen structure process	In cell original capacitive touch
Video recording	4K(16:9): 3840x2160@25 /30fps 2K(4:3): 2560x1944@25 /30fps 2K(16:9): 2560x1440@25 /30fps 1080p(16:9): 1920X1080@25 /30fps
Video input	4K 25fps,4K 30fps,2K 25fps, 2K 30fps,1080P 25fps,1080P 30fps,720P 25fps, 720P 30fps,CVBS pal, CVBS ntsc
Video format	MP4
picture	12MP-8MP-4MP-2MP
Video pixels (16:9)	HDMI
Compression mode	H. 265 video compression
Audio input/output	1.0Vp-p (20Hz-20KHz)
Speaker Output	1W
Memory card	TF card 2GB-256GB
language	varied
Voltage	DC :12V USB DC:5V
WiFi Protocol	802.11 a/b
WiFi Channel	2.4000-2.4835Ghz
WiFi power	<16dBm
Power Supply	DC 12V 2A
lithium battery	6200mAh*2(48Wh)
Single machine working time	12 hours
Complete working time	8 hours
Waterproof grade	IP65
Screen size&weight	L*W*H 30*19*1.8CM,865g
Full set Package size&weight	Size: 138.2*17.8*38.6 CM Weight:24KG

To order

PT-Dual	Dual camera PT360 set
PT-TB	Talk back PT360 set
PT-360	IP68 White LED PT360 set
PT-C360WL	Camera IP68 Pan and Tilt White LED
PT-C360IR85	Camera IP65 Pan and Tilt Infrared 850 NM with talk back function
PT-C360IR94	Camera IP65 Pan and Tilt Infrared 940 NM
PT-CTB	Camera IP65 with talk back goosneck
PT-MON	Spare monitor 10.1" Touchscreen
PT-BAT	Battery pack 55W
PT-VAL	Carrying case for PT system



What is included

Pt Dual Set.

1 IP68 P&T camera white LEDs - 1 IP65 P&T camera with talk/back - 1 gooseneck camera with Talk/back - 1 touchscreen monitor 10.1" - 1 HDMI cable - 1 removable Sunshield - 1 AC charger - 1 Battery pack 55W - 1 USB Cable - 1 SD Card 64 GB - 1 rugged carrying case - 1 instruction manual - 1 cleaning kit BIPOL.

Pt TB Set.

1 IP65 P&T camera with talk/back - 1 touchscreen monitor 10.1" - 1 HDMI cable - 1 removable Sunshield - 1 AC charger - 1 Battery pack 55W - 1 USB Cable - 1 SD Card 64 GB - 1 rugged carrying case - 1 instruction manual - 1 cleaning kit BIPOL.

Pt 360 Set.

1 IP68 P&T camera white LEDs - 1 touchscreen monitor 10.1" - 1 HDMI cable - 1 removable Sunshield - 1 AC charger - 1 Battery pack 55W - 1 USB Cable - 1 SD Card 64 GB - 1 rugged carrying case - 1 instruction manual - 1 cleaning kit BIPOL.



BIPOL

Contactez nous



+00 33 3 26 36 39 88



3 rue Saint Rémi
51430 BEZANNES FRANCE



info@bipol.fr
www.bipol.fr