



Our line of high resolution PT-360 pole cameras offer reliable inspection solutions to security forces, rescue and emergency units, police, special forces and to the industrial sector. Available with motorized rotative cameras and Talk/back cameras, they allow inspection of buildings, containers, infrastructures such as bridges, trucks, or industrial sites among others.

9 Main Features



10.1" Touch Screen



Exchangeable cam



LED adjustable



55W Li battery



Record/Photo/Playback



360° PTZ



Position

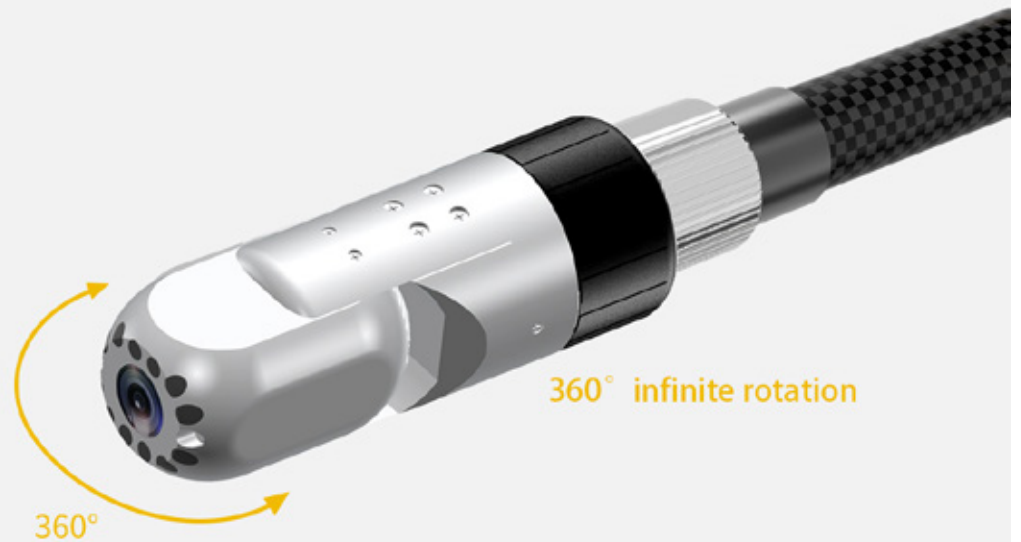


Auto focus



waterproof

7 Level LED • 360° PTZ



4K HD Camera

Durable Industrial Lens
Professional Waterproof Design



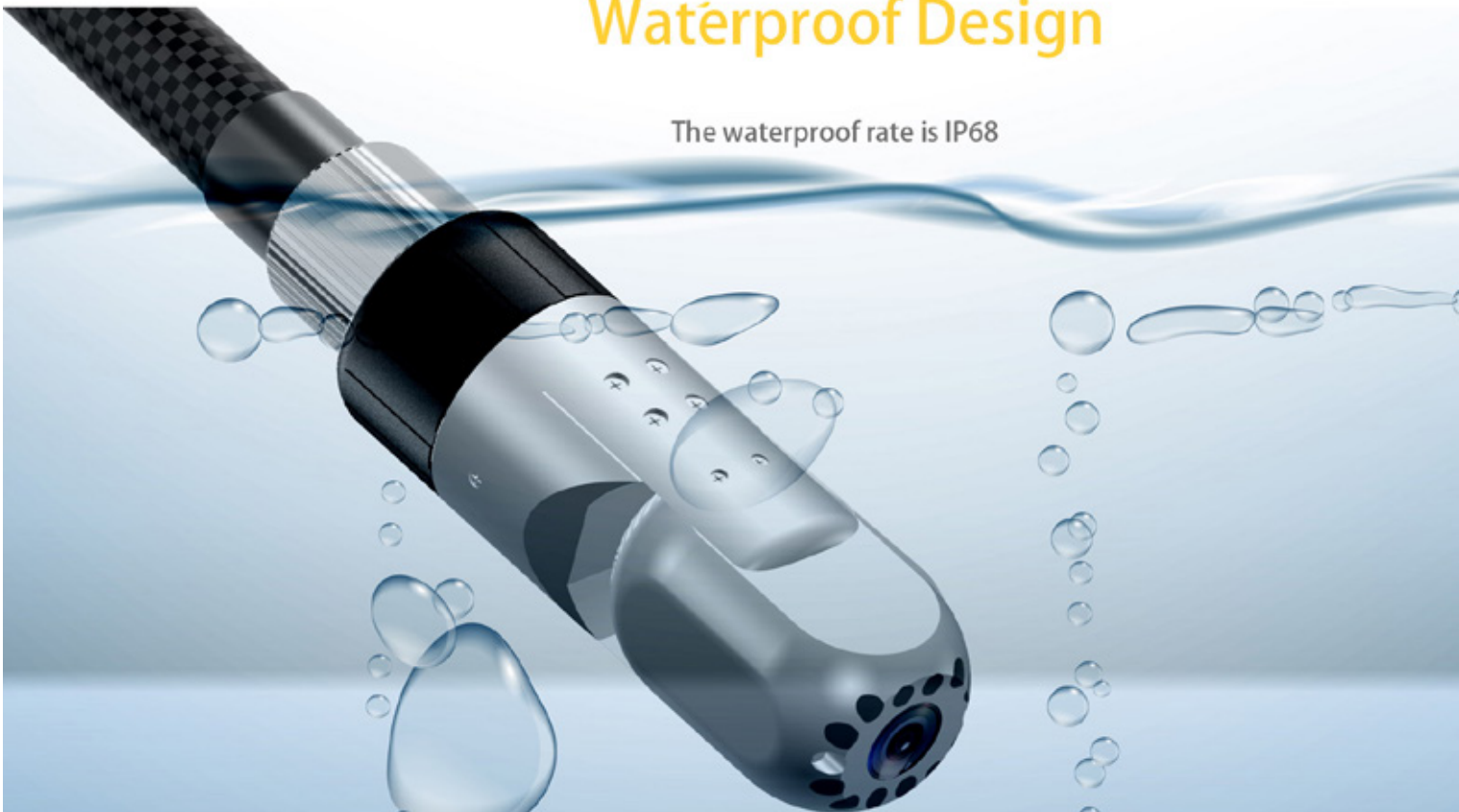
Exchangeable Battery Pack

55W rechargeable Li-battery for exchanging
Extend Working Time Easily



Waterproof Design

The waterproof rate is IP68

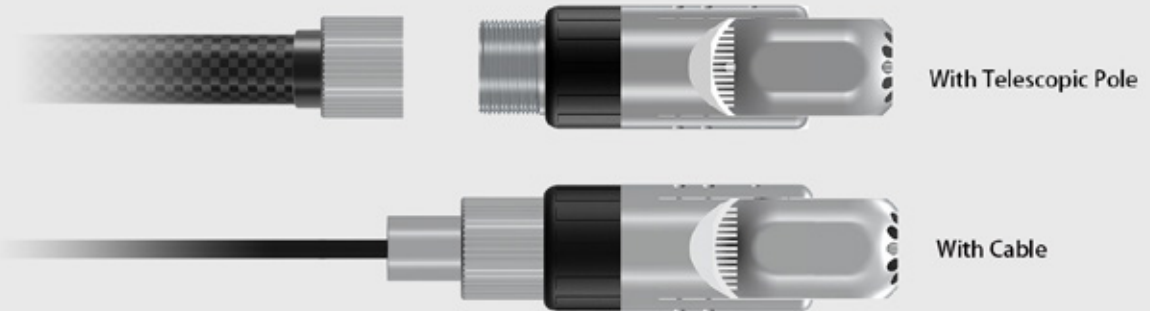


Main functions



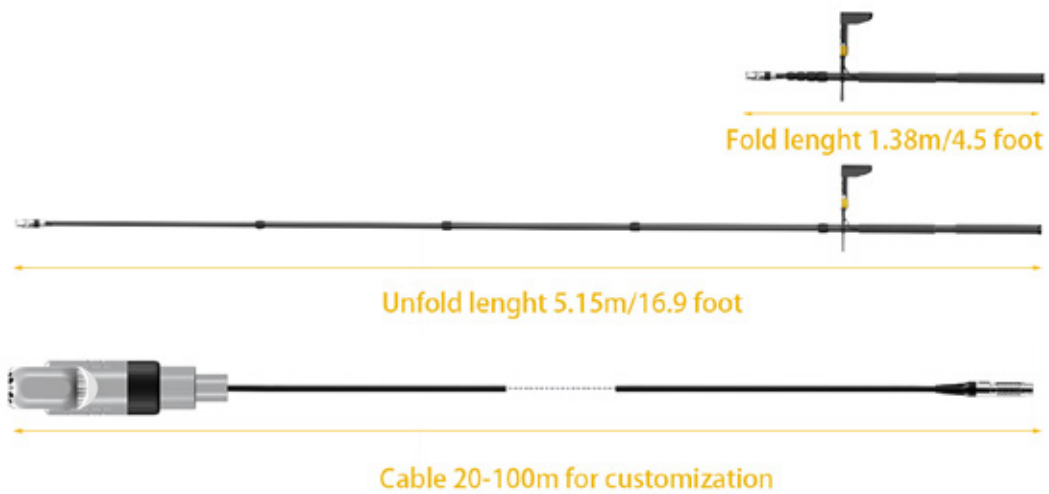
Exchangeable Plug Connector

PTZ camera can plug into the **telescopic pole** or plug in the **cable** to meet users different requirements



Fiber Carbon Telescopic Pole/Cable

Different Length for customization



Different Cameras
White LEDs
850/940 nm
Infrared



| Technical data | |
|--------------------------------|---|
| Cmos | SONY 5MP |
| light source | 12 LED vision distance 10m |
| Minimum illumination | 0.001Lux/F1.2 |
| Lens | 3.6mm F1.2 (H)160° view angle |
| video output | AHD: 2560 (H)×1944(V) |
| waterproof level | IP68 |
| rotate | Horizontal: infinite rotation Vertical:180° |
| size and weight | ø39mm ,Length :143mm ;674g |
| Camera housing material | 304 Stainless steel |
| 360 Rotated IR Talkback Camera | |
| Cmos | 5MP Cmos |
| pixel | AHD: 2560 (H)×1944(V) |
| light source | 12 ir850nm IR led |
| Minimum illumination | 0.08Lux/F1.2 |
| Lens | 3.6mm F1.2 (H)160° view angle |
| video output | AHD |
| waterproof level | IP65 |
| rotate | Horizontal: 360 ° Vertical:180° |
| size and weight | ø39mm ,Length :153mm ,325g |
| Camera housing material | Black color Aluminum alloy |
| Carbon Fiber Telescopic Pole | |
| Material | Carbon Fiber |
| Unfold length | 5.15 meter |
| Fold length | 1.38 meter |

| Technical data | |
|--------------------------------|--|
| Display | 10.1 inch 1280 * 800 px |
| Touch screen structure process | In cell original capacitive touch |
| Video recording | 4K(16:9): 3840x2160@25 /30fps 2K(4:3): 2560x1944@25 /30fps 2K(16:9): 2560x1440@25 /30fps 1080p(16:9): 1920X1080@25 /30fps |
| Video input | 4K 25fps,4K 30fps,2K 25fps, 2K 30fps,1080P 25fps,1080P 30fps,720P 25fps, 720P 30fps,CVBS pal, CVBS ntsc |
| Video format | MP4 |
| picture | 12MP-8MP-4MP-2MP |
| Video pixels (16:9) | HDMI |
| Compression mode | H. 265 video compression |
| Audio input/output | 1.0Vp-p (20Hz-20KHz) |
| Speaker Output | 1W |
| Memory card | TF card 2GB-256GB |
| language | varied |
| Voltage | DC :12V USB DC:5V |
| WiFi Protocol | 802.11 a/b |
| WiFi Channel | 2.4000-2.4835Ghz |
| WiFi power | <16dBm |
| Power Supply | DC 12V 2A |
| lithium battery | 6200mAh*2(48Wh) |
| Single machine working time | 12 hours |
| Complete working time | 8 hours |
| Waterproof grade | IP65 |
| Screen size&weight | L*W*H 30*19*1.8CM,865g |
| Full set Package size&weight | Size: 138.2*17.8*38.6 CM Weight:24KG |

| To order | |
|-------------|--|
| PT-Dual | Dual camera PT360 set |
| PT-TB | Talk back PT360 set |
| PT-360 | IP68 White LED PT360 set |
| PT-C360WL | Camera IP68 Pan and Tilt White LED |
| PT-C360IR85 | Camera IP65 Pan and Tilt Infrared 850 NM with talk back function |
| PT-C360IR94 | Camera IP65 Pan and Tilt Infrared 940 NM |
| PT-CTB | Camera IP65 with talk back goosneck |
| PT-MON | Spare monitor 10.1" Touchscreen |
| PT-BAT | Battery pack 55W |
| PT-VAL | Carrying case for PT system |



What is included

Pt Dual Set.

1 IP68 P&T camera white LEDs - 1 IP65 P&T camera with talk/back - 1 gooseneck camera with Talk/back - 1 touchscreen monitor 10.1" - 1 HDMI cable - 1 removable Sunshield - 1 AC charger - 1 Battery pack 55W - 1 USB Cable - 1 SD Card 64 GB - 1 rugged carrying case - 1 instruction manual - 1 cleaning kit BIPOL.

Pt TB Set.

1 IP65 P&T camera with talk/back - 1 touchscreen monitor 10.1" - 1 HDMI cable - 1 removable Sunshield - 1 AC charger - 1 Battery pack 55W - 1 USB Cable - 1 SD Card 64 GB - 1 rugged carrying case - 1 instruction manual - 1 cleaning kit BIPOL.

Pt 360 Set.

1 IP68 P&T camera white LEDs - 1 touchscreen monitor 10.1" - 1 HDMI cable - 1 removable Sunshield - 1 AC charger - 1 Battery pack 55W - 1 USB Cable - 1 SD Card 64 GB - 1 rugged carrying case - 1 instruction manual - 1 cleaning kit BIPOL.

