

# BIPOL

## Bend protection

Improves probe durability

## Interchangeable Video probes

100 % compatible with each other

**PRO B**  
*Dual View*

## 6" touch screen

Clear and sharp image

## Sonde double vision

Dual view probe with 2 objectives and direction of 0° & 90°

Choice between 3 focus:

- Short
- Standard
- Long

The BIPOL PRO B videoscope is a compact portable system (0.8kg) made of high resolution camera 720P mounted on an articulated probe 360°.

This videoscope offers a large 6.0" LCD touch screen which is ideal to visualize the thinnest details during the inspection.

A powerful illumination allows to even better the quality of images and videos recorded and greatly improves inspection comfort.

BIPOL



# SCREEN SHARING FUNCTION

## Connectors

Micro SD card 32 GB  
Internal hard drive  
11 GB  
Port mini HDMI

## Dual touch screen

Screen can split in 2 to observe 0° and 90° vision in real time.



## Photo & video recording

High resolution up to  
720P (1280x720px)

## Adjustable lighting

8 different levels with  
OSD

## Joystick 4-way

360°. Precise and smooth  
control of articulation on all  
working lengths

## Complete interface

- Measurement rulers
- Preview of photos and videos with the possibility of renaming them
- Parameters & settings
- Black & white



## DUAL VIEW PROBE

Dual probe with dual lenses and 0° & 90° viewing directions.



Our dual probes available in 2.8 - 3.9 & 6.0mm diameters and in lengths ranging from 1m to 10m, allow on-axis and perpendicular inspections to be performed with a single probe.

It is the ideal versatile instrument for inspecting weld beads, pipes and any other inspection requiring different inspection directions.

## HIGH RESOLUTION VIDEOSCOPE- READY TO USE KIT



### WHAT WE DELIVER

- 1 Compact shockproof case with prints for accessories
- 2 PRO B DUAL videoscope
- 3 Batteries and charger (in option)
- 4 SD card reader
- 5 Videoscope charger
- 6 HDMI cable

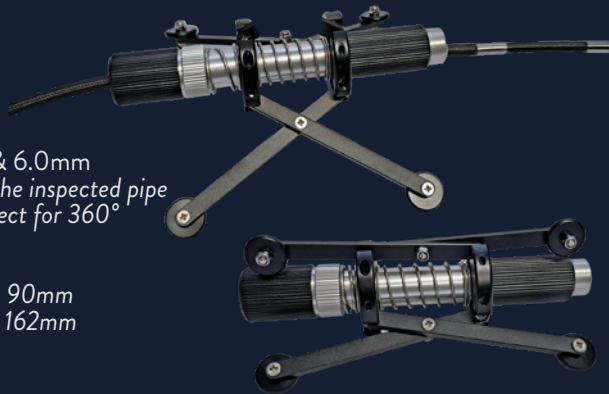


## PRO B DUAL ACCESSORIES

### Centralizers on wheels

Available for Ø 3.9 & 6.0mm  
Centers the probe in the inspected pipe  
and betters feed. Perfect for 360°  
inspection of weldings

Ø 3.9mm - DN26 to 90mm  
Ø 6.0mm - DN34 to 162mm



### Clamp

For square or round tube  
(55mm opening)



### Rigid guides

Ø 4,8 mm & Ø 8 mm  
with working length (430 mm)



TECHNICAL DATA	PRO B <sub>D</sub> 28	PRO B <sub>D</sub> 39	PRO B <sub>D</sub> 60
Camera diameter	2.8 mm	3.9 mm	6.0 mm
Working length	1.0 - 2.0 - 3.0m	1.0 - 2.0 - 3.0m	1.0 - 2.0 - 3.0 - 4.0 - 5.0 - 6.0 - 7.0 - 8.0 - 10m
Longueur objectif	4.5 mm	13 mm	
Articulation	4-way		
Camera resolution	160.000 px	720 p	
Direction of vision	Dual vision camera 0° & 90°		
Field of vision	120°		
Focusing distance 0°	3-70mm	7-150/ 12-200 / 3-30 / 50mm-infinity	12-200 / 7-150 / 3-30mm
Focusing distance 90°	3-70mm	7-150/ 12-200 / 3-30 / 50mm-infinity	7-150 / 3-30mm / 5-80mm
Illumintion	LEDs	Optical fibers	LEDs
Power supply	110-220 Va EU plug - USB universal connection		
Interface	Measurement rulers - Image rotation - File renaming - Image freeze - Black&White		
Photo resolution	640x480 JPEG		1280x720 JPEG
Video resolution	640x480 AVI		1280x720 AVI
Working temperatures	-10°C to + 60°C		
Videoscope dimensions	370x175mm		
Gross weight (without probe)	0.8 kg		
Warranty	2 years		

